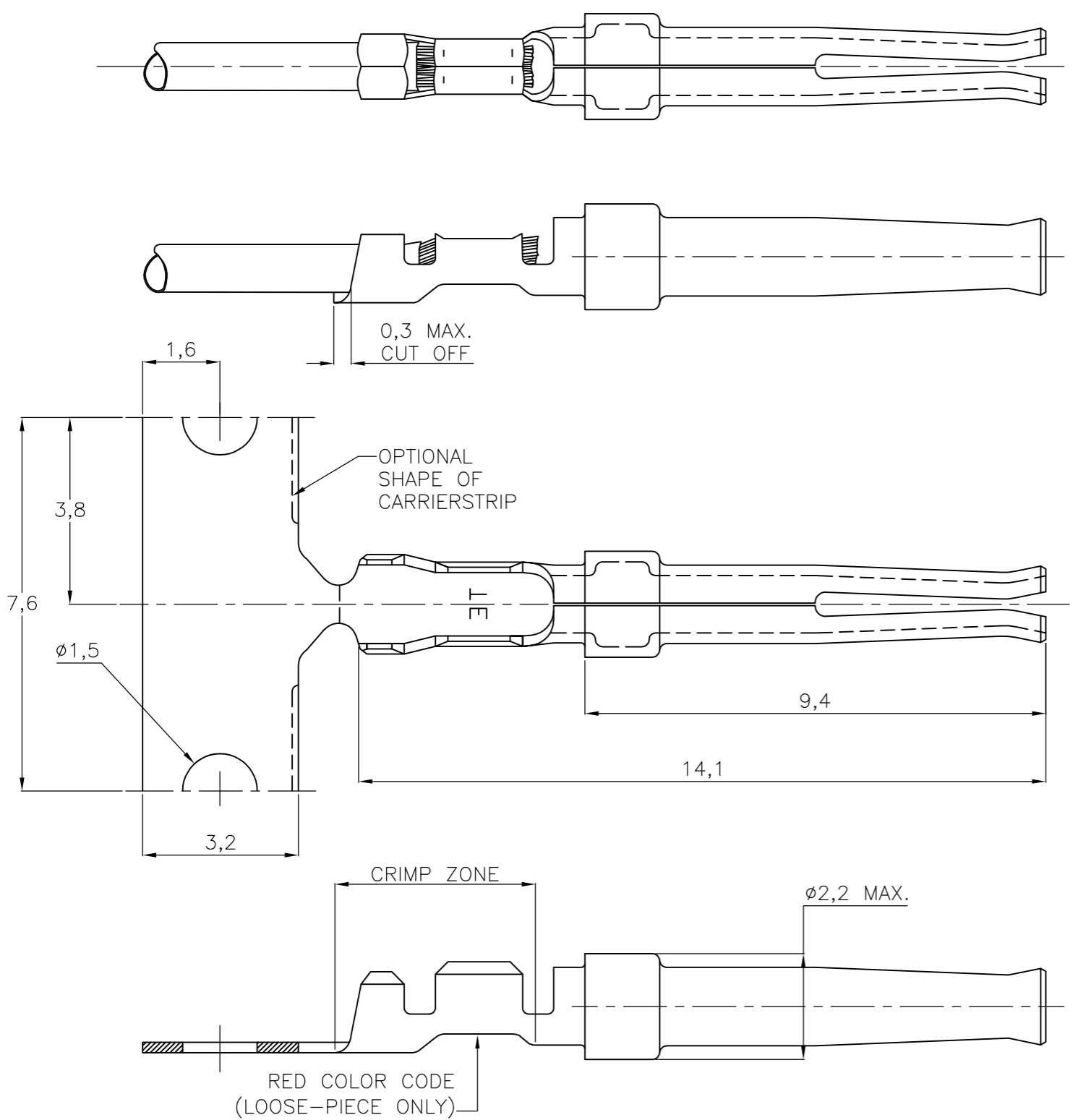


THIS DRAWING IS UNPUBLISHED. RELEASED FOR PUBLICATION  
 © COPYRIGHT BY TYCO ELECTRONICS CORPORATION. ALL INTERNATIONAL RIGHTS RESERVED.

| LOC | DIST | REVISIONS   |               |         |         |
|-----|------|-------------|---------------|---------|---------|
| P   | LTR  | DESCRIPTION | DATE          | DWN     | APVD    |
| H   | -    | M           | ECR-08-023872 | 15OCT08 | AEG KMA |

NOTES:

- △1 FOR MINI-APPLICATOR-12500 PCS REEL.
- △2 FOR REEL-FEED HAND TOOLING-500 PCS REEL.
- △3 FOR HAND TOOLING- LOOSE PIECE.
- 4. MATERIAL: PHOSPHORBRONZE.
- △5 FINISH:
  - Ni UNDERPLATING ALL OVER.
  - CONTACT AREA PLATING MEETS IEC-807-3 PERFORMANCE LEVEL 2.
  - CRIMP ZONE Sn PLATED.



WIRE RANGE: 24-20 AWG(0,56-0,20mm<sup>2</sup>)  
 INSUL. RANGE: 1,27-1,52 DIA

|                  |                   |   |               |
|------------------|-------------------|---|---------------|
| △5               | 166291-1          | 5-166051-1  | 166051-1      |
| FINISH           | LOOSE-PIECE △3    | PARTNUMBER △2   | PARTNUMBER △1 |
| DWN              | -                 | Tyco Electronics Corporation<br>'s-Hertogenbosch, Nederland |               |
| CHK              | K.MALCZYK 21AUG08 | NAME  |               |
| APVD             | I.DE BOER 21AUG08 | SOCKET CONTACT,<br>SIZE 20 DF.                              |               |
| PRODUCT SPEC     | 108-40005         | SIZE  | RESTRICTED TO |
| APPLICATION SPEC | 114-10000         | CAGE CODE   |               |
| WEIGHT           | -                 | DRAWING NO  |               |
| CUSTOMER DRAWING |                   | A3 00779  | REV M         |
|                  |                   | SCALE   | SHEET         |
|                  |                   | NTS   | 1 OF 1        |

|  |  |
|--|--|
| THIS DRAWING IS A CONTROLLED DOCUMENT. |  |
| DIMENSIONS:<br>mm                      | TOLERANCES UNLESS OTHERWISE SPECIFIED: |
|  | 0 PLC ± -                              |
|  | 1 PLC ± 0,127                          |
|  | 2 PLC ± -                              |
|  | 3 PLC ± -                              |
|  | 4 PLC ± -                              |
|  | ANGLES ± -                             |
| MATERIAL                               | FINISH                                 |
| -                                      | -                                      |

